

### Reference : C-R28S29 8-28FR+E

The Fixolite box is a 6 m long prefabricated lintel box designed to receive a closure (roller shutter, BSO, etc.). The box consists of an inverted U-shaped, fire-retardant expanded polystyrene (30 kg/m<sup>3</sup> density) shell reinforced with steel mesh. The side walls are fitted with aluminum rails.

**Reinforced model box.** This box is reinforced by 3 mm steel brackets, every 1.2 m and is intended for openings of more than 1.6 m. The box is certified by Technical Advice to the CSTB.

Type	R28S29
Outer rail ref.	827
Inner rail ref.	28FR
Color	Grey graphitized polystyrene
Compatible cheek	J-28
Certification	<a href="#">CSTB 16-11-634</a> (translated)

Thermal conductivity U = 1.14 W/m<sup>2</sup>.K

Thermal resistance\* R = 0.88 m<sup>2</sup>.K/W

(\* ) R: thermal resistance (m<sup>2</sup>.K/W) taking into account a  $\lambda$  coefficient of 0.0374 W/m.K after application of a safety coefficient of 1.15.

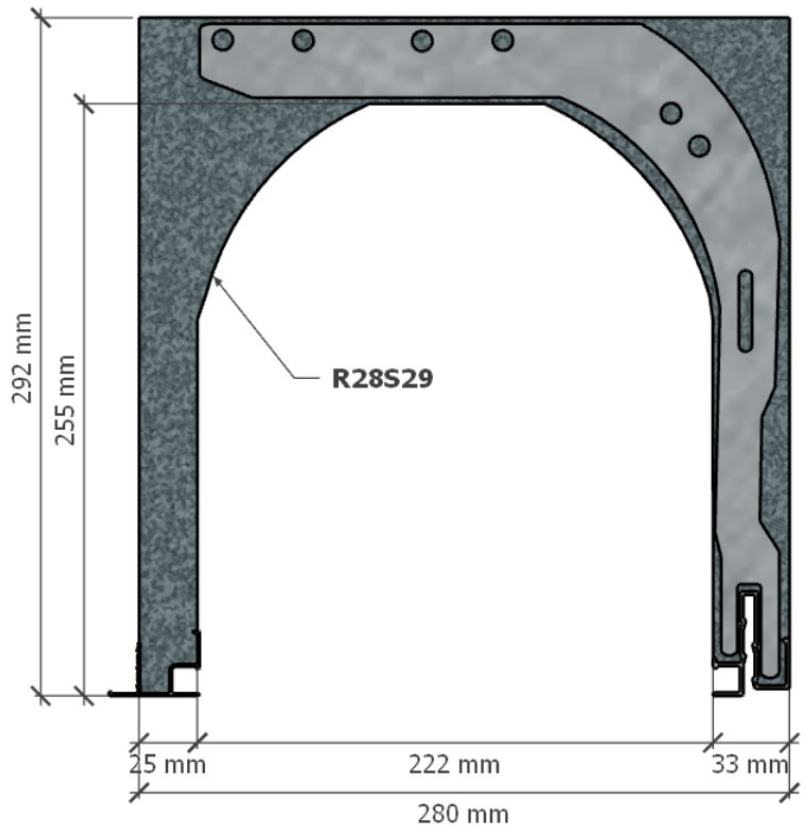
Weight	3.16 kg/m
Reaction to fire	class E (EN ISO 11925-2/EN 13 501)
Air permeability	c*3 class
Acoustic perf. (Dn <sub>W</sub> )	55 dB

### Box dimensions

Width	280 mm
Height	292 mm
Tunnel	222 mm
External side	33 mm
Internal side	25 mm

### Components

Bonding primer	0.4 kg/m
Aluminium (recycl. 85%)	0.92 kg/m
Steel (recycl. 96.5%)	1.02 kg/m
Polystyrene (recycl. 10%)	0.82 kg/m
<b>Total</b>	<b>3.16 kg/m</b>



Box shown: C-R28S29 8-28FR

### Sides finishing

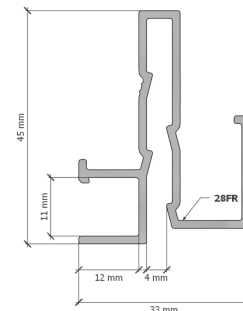
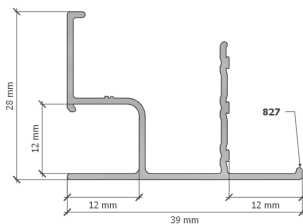
**External side**  
Bonding primer



**Internal side**  
Structured polystyrene



### Rail diagram



[English version](#)   [Version française](#)



**2024-05 • Fixolite Disclaimer.** The information provided in this technical sheet is for reference only and without warranty of accuracy or completeness. Fixolite disclaims any liability for errors, omissions, or consequences related to the use of this information. Specifications are subject to change without notice.